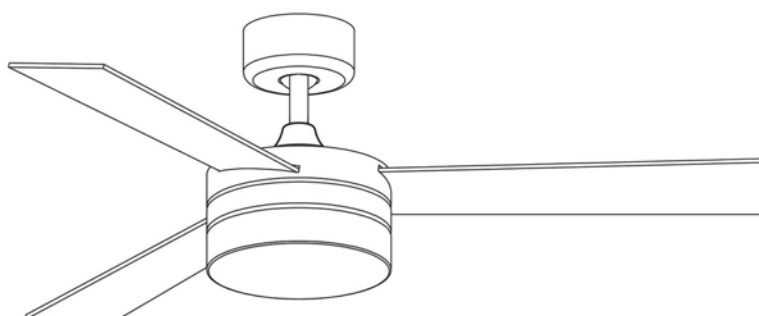


GLOBO

FAN

0333

www.globo-lighting.com

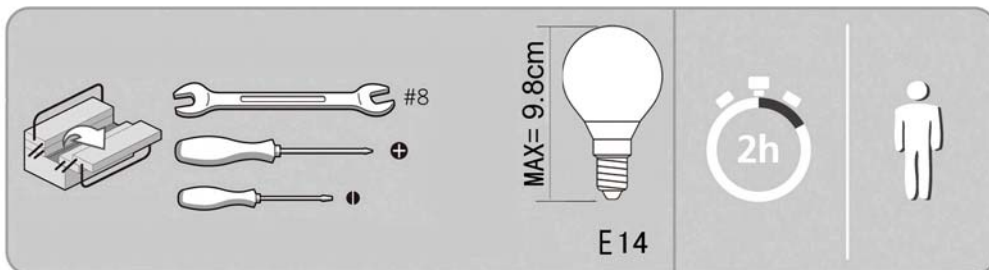
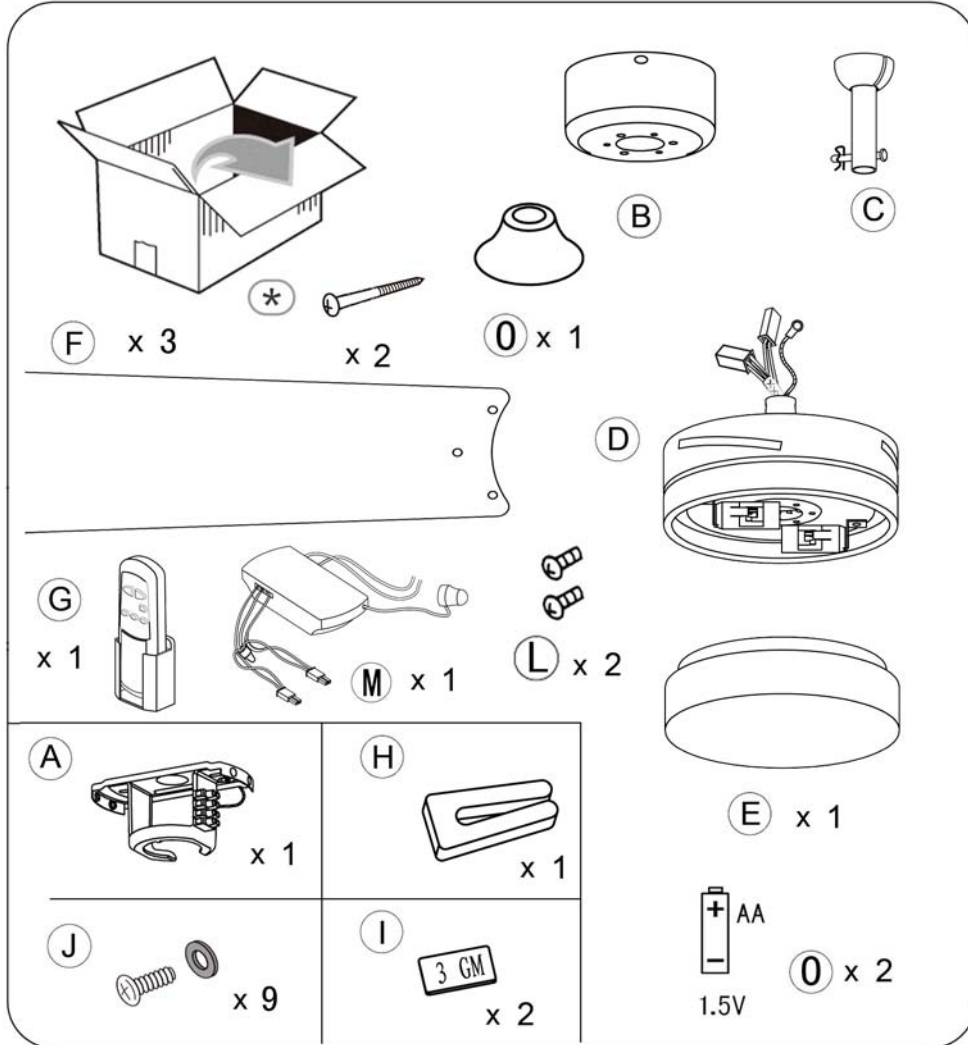


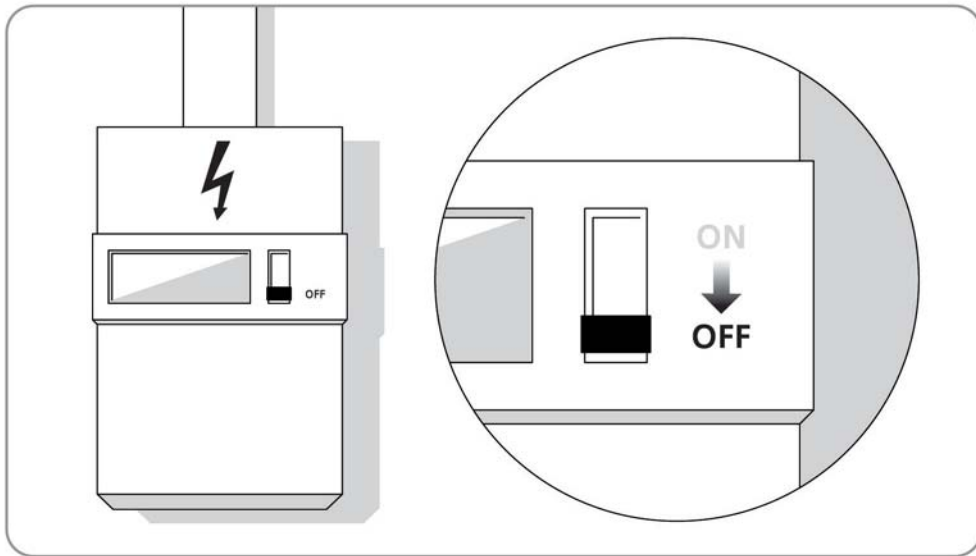
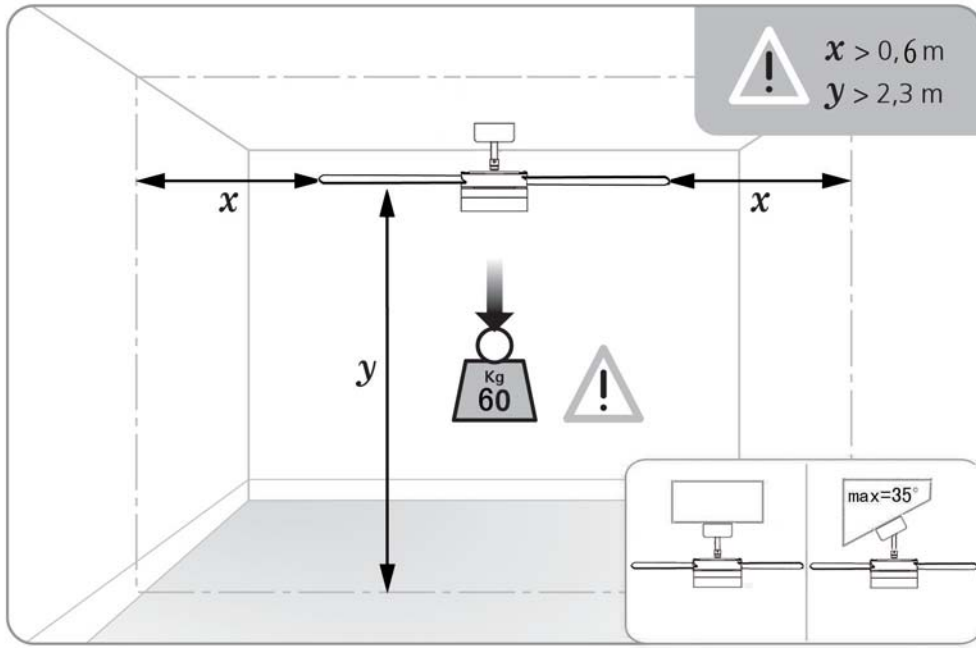
GLOBO Handels GmbH

St.Peter 38
A-9184 St.Jakob/Rosental

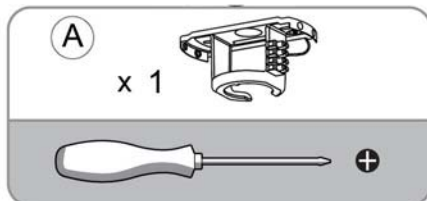
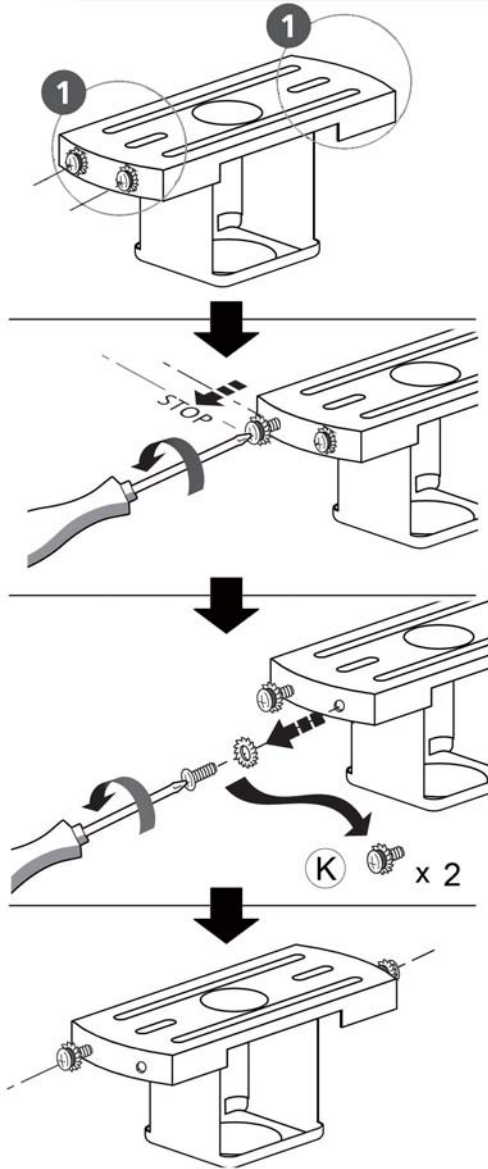
LCL42+1DISC
INPUT: 220-240V~50Hz
MOTOR: 50W
BULB: 2 x max 40W E14 excl.



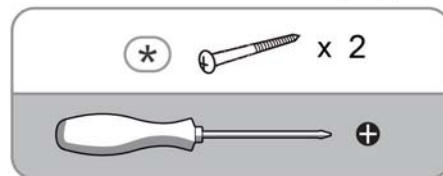
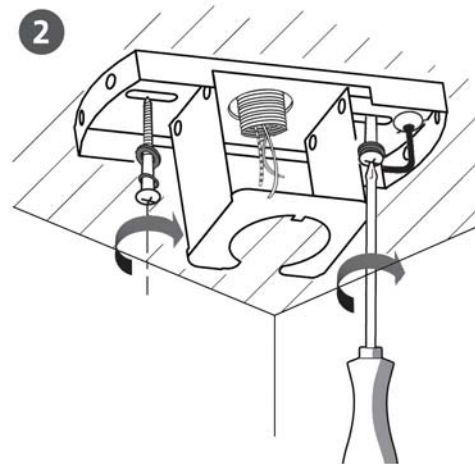




1

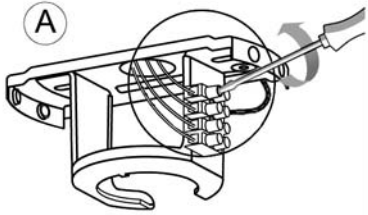


2

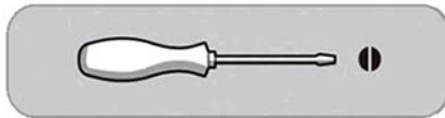
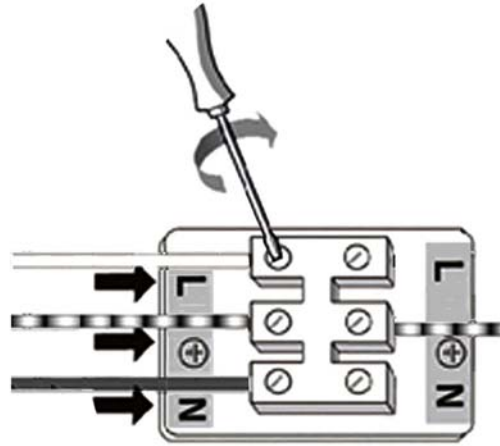


3

A

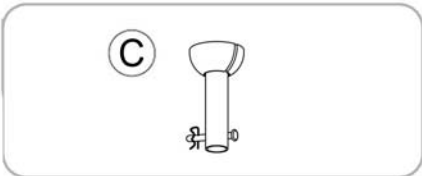
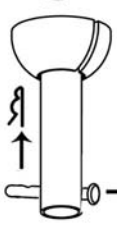


230V ~



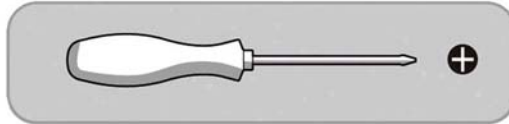
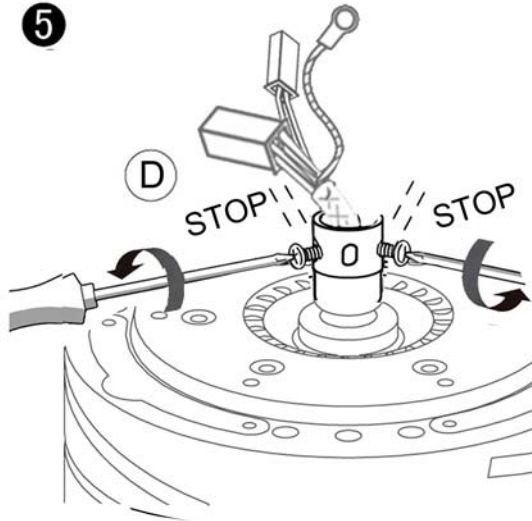
4

C

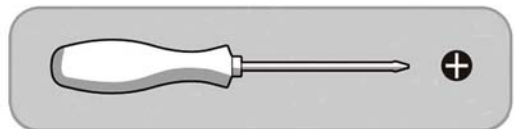
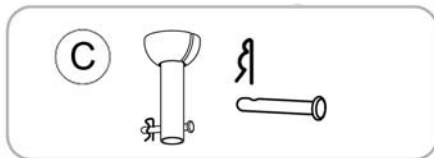
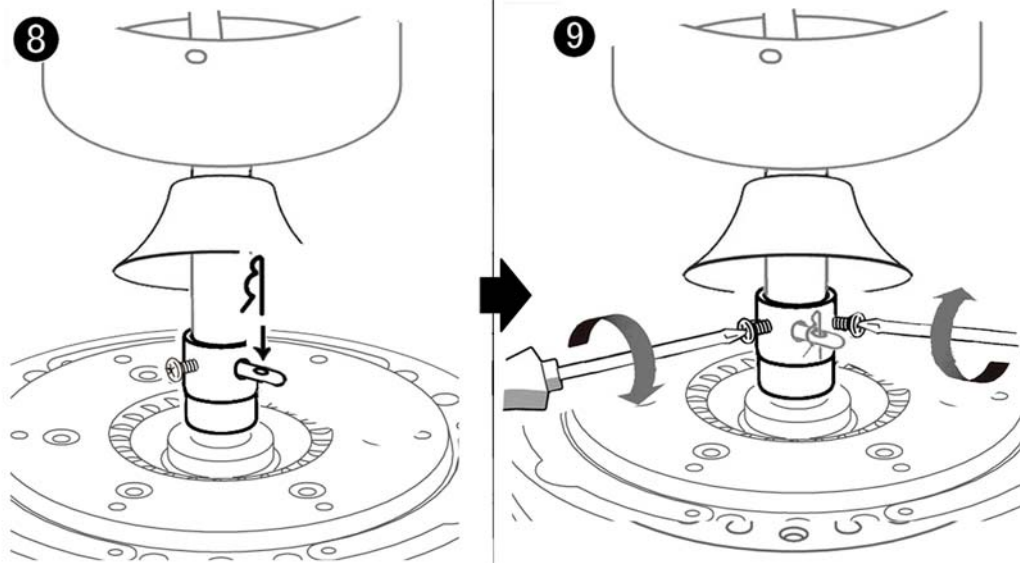
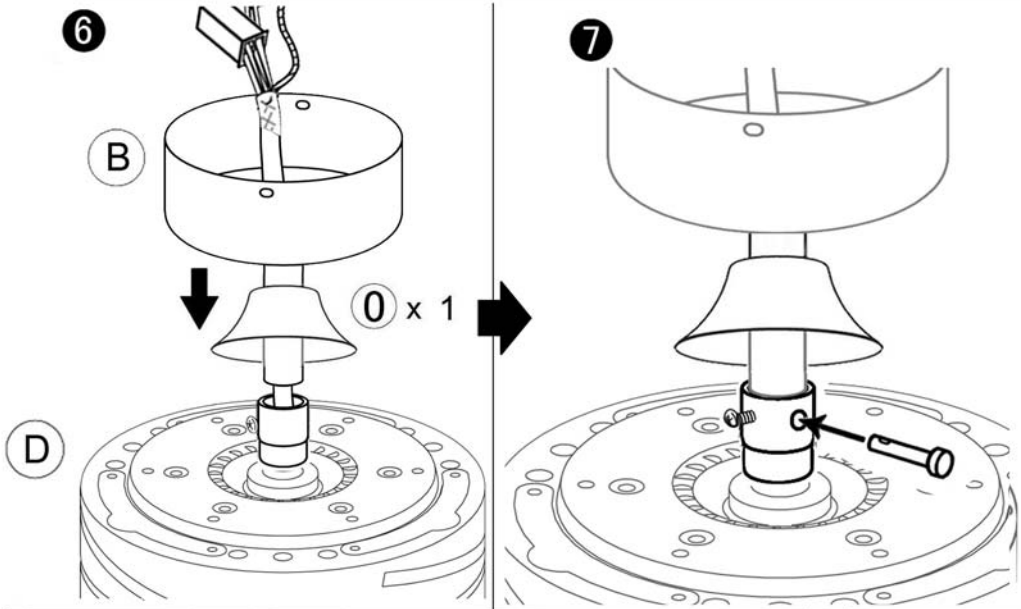


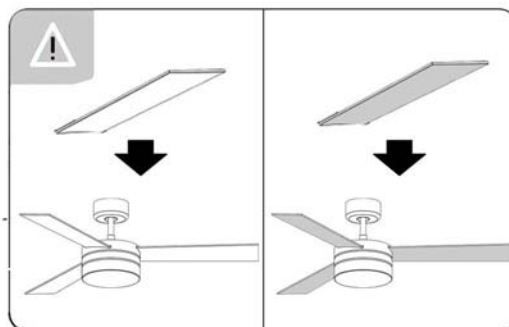
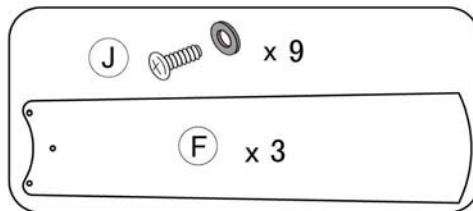
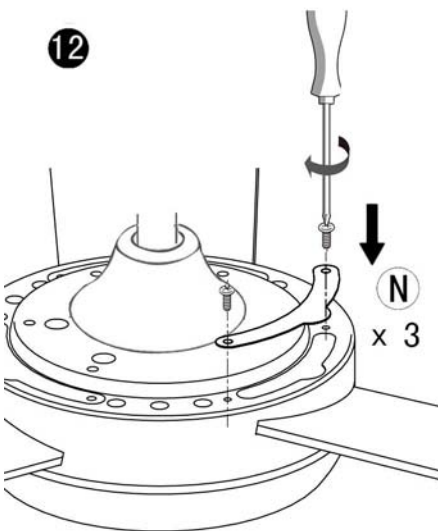
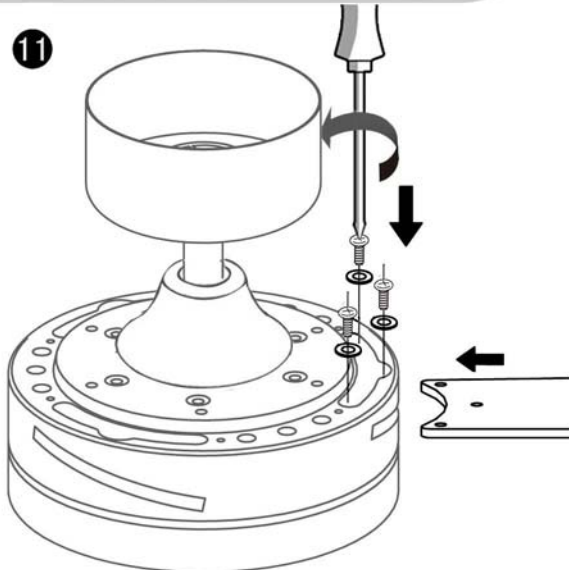
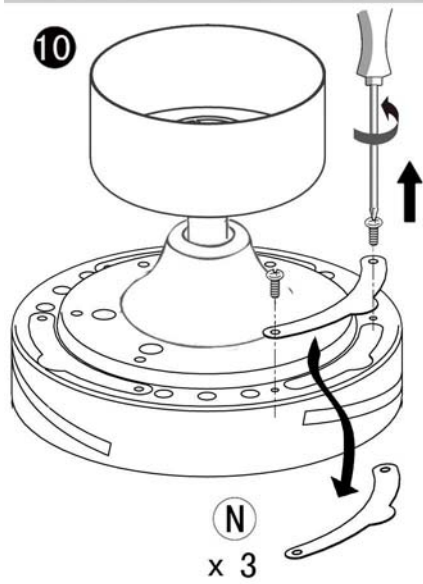
5

D



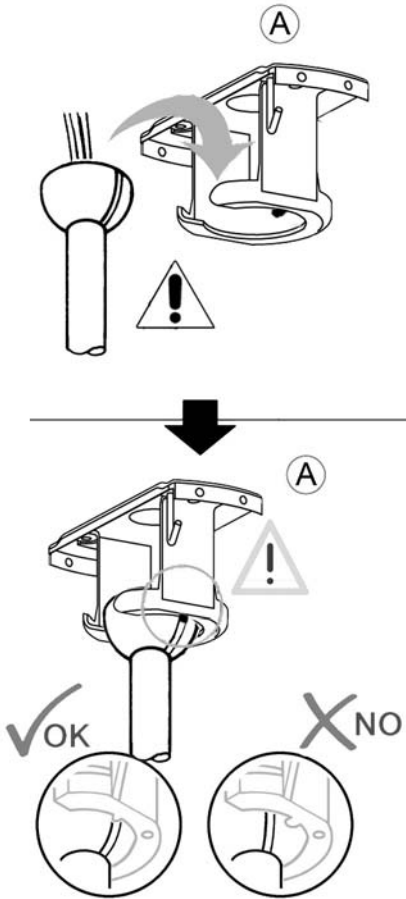
3



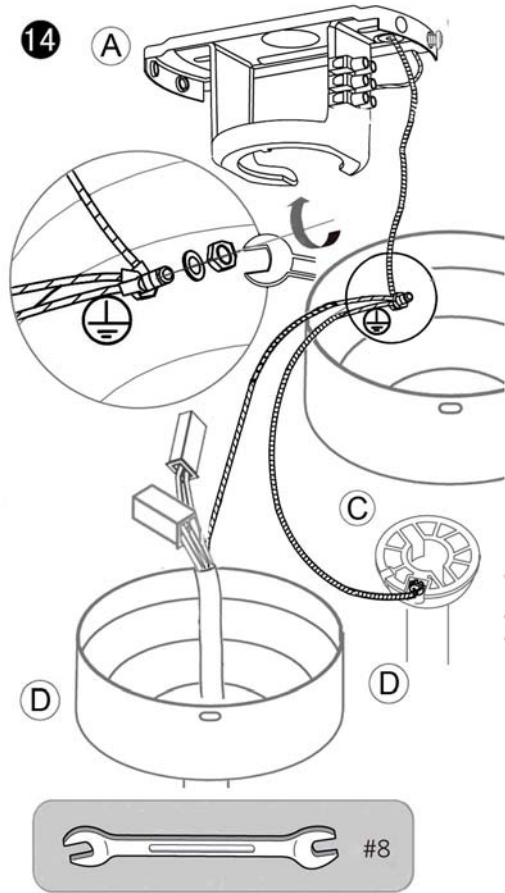


5

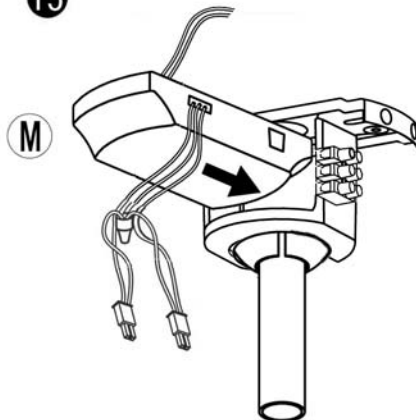
13

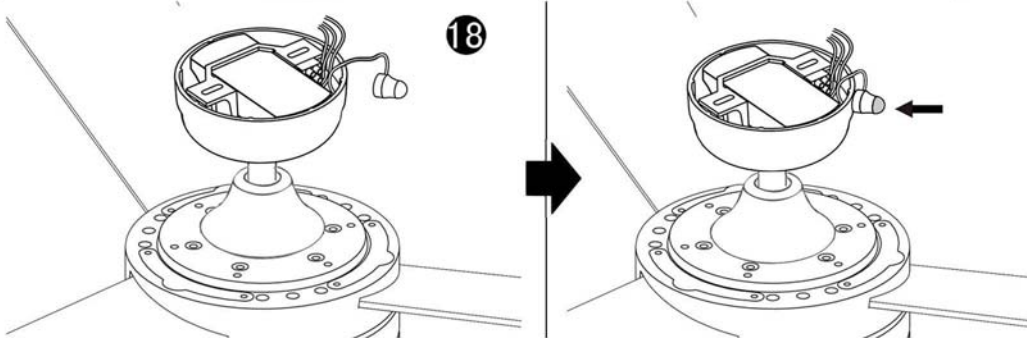
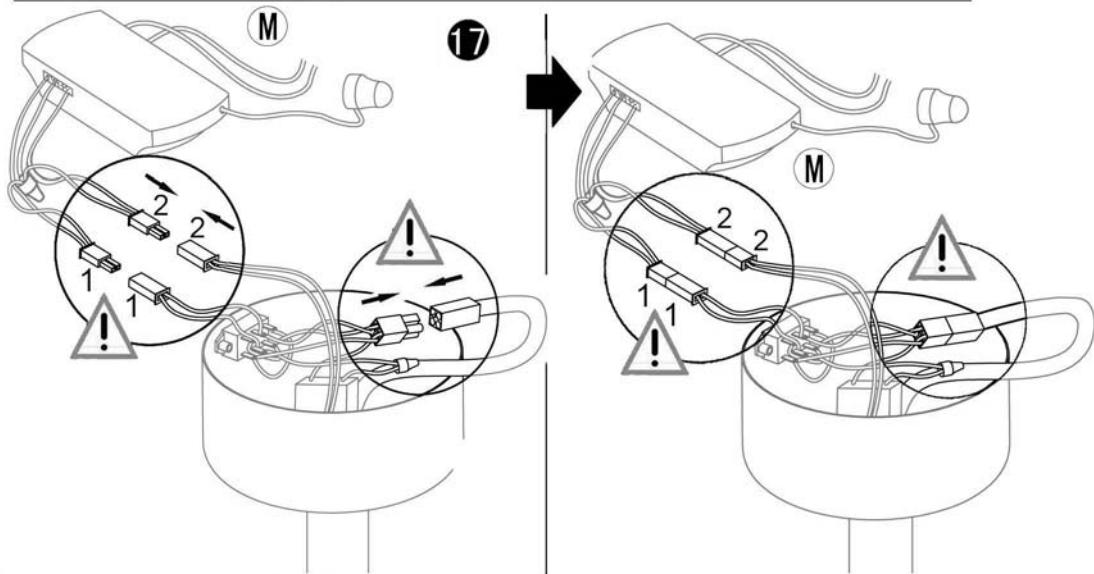
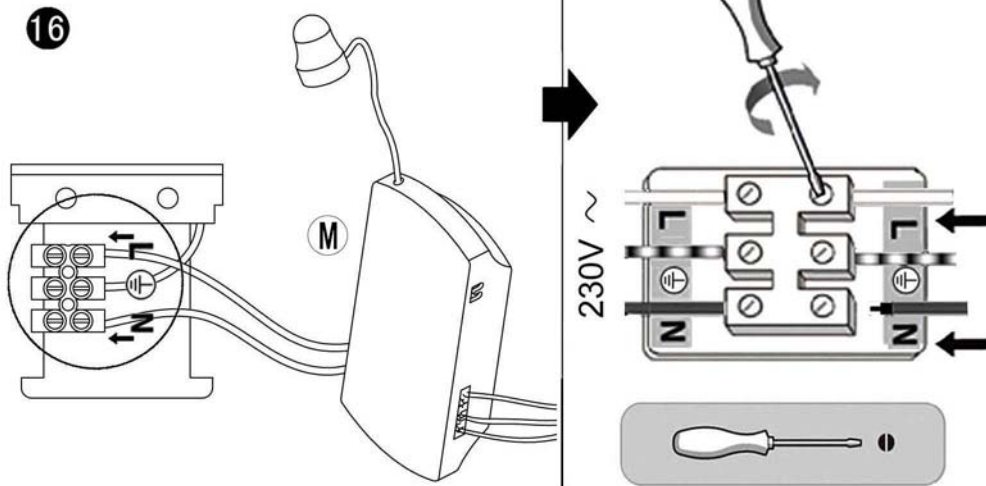


14



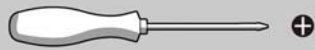
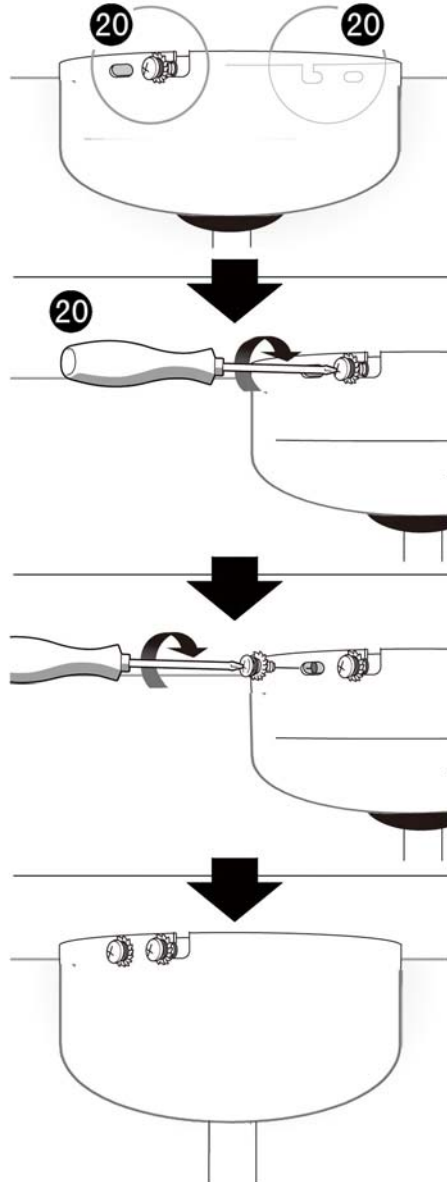
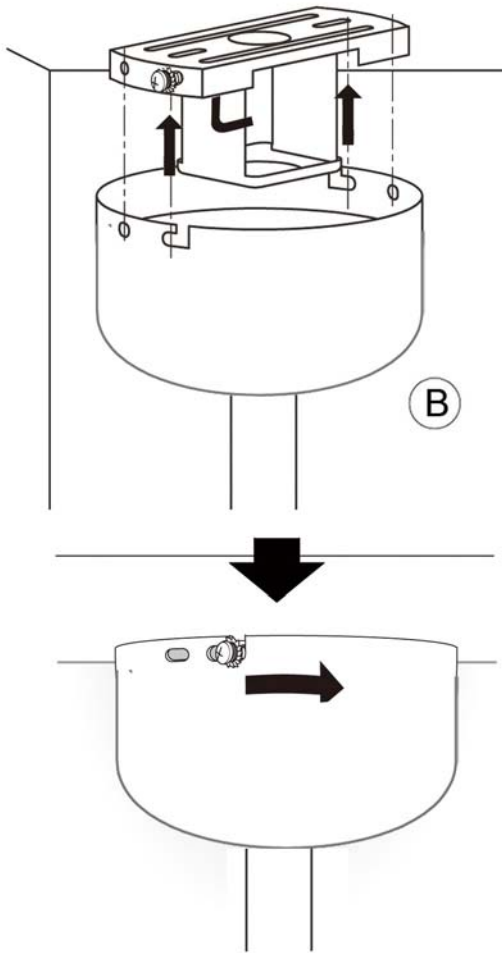
15



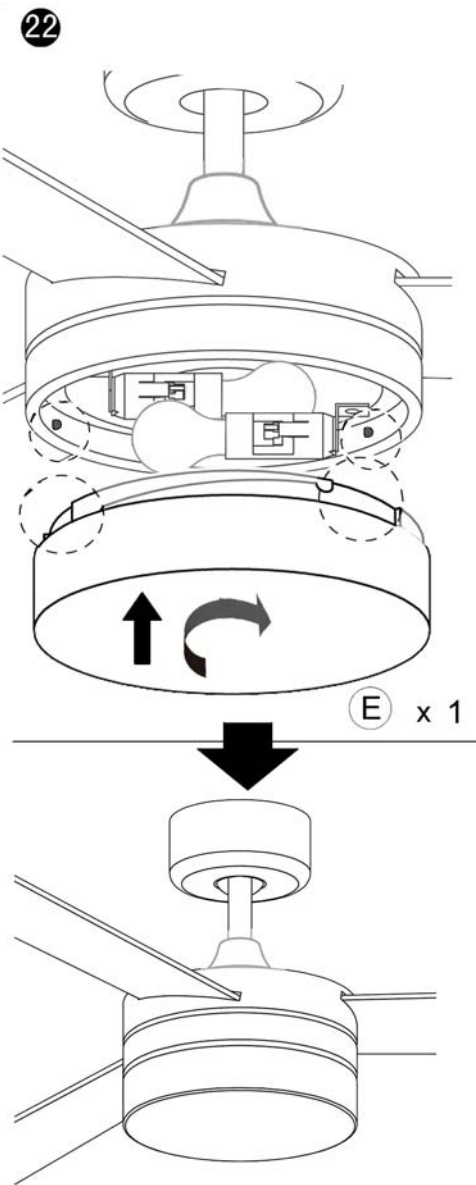
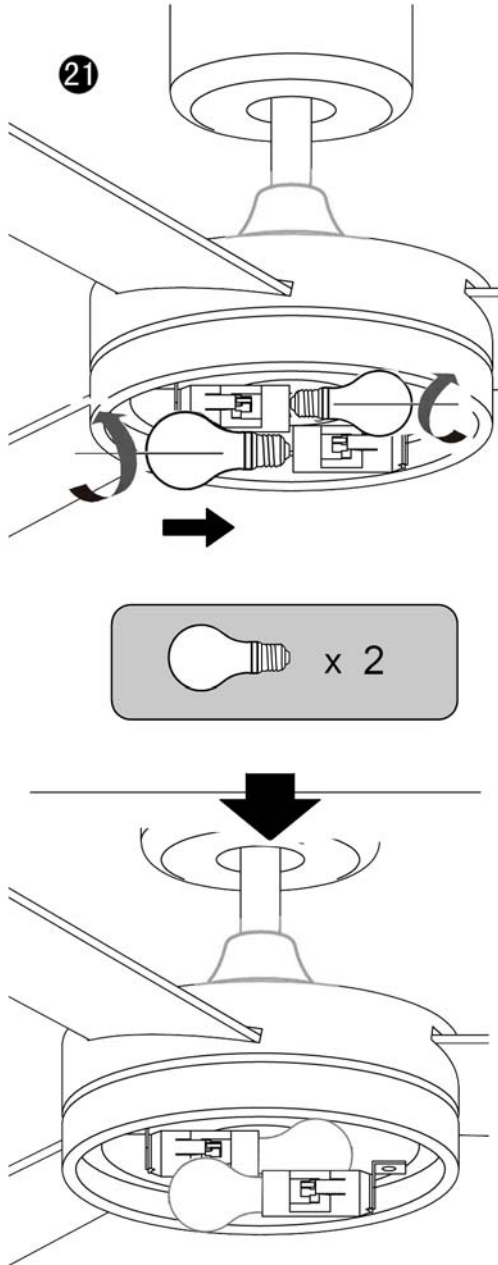


7

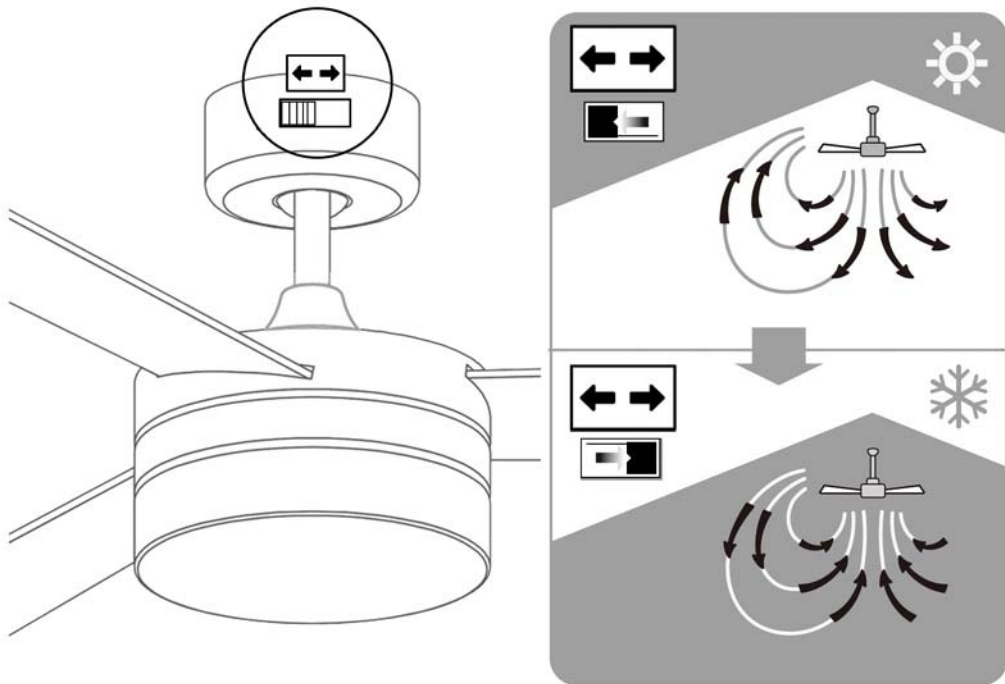
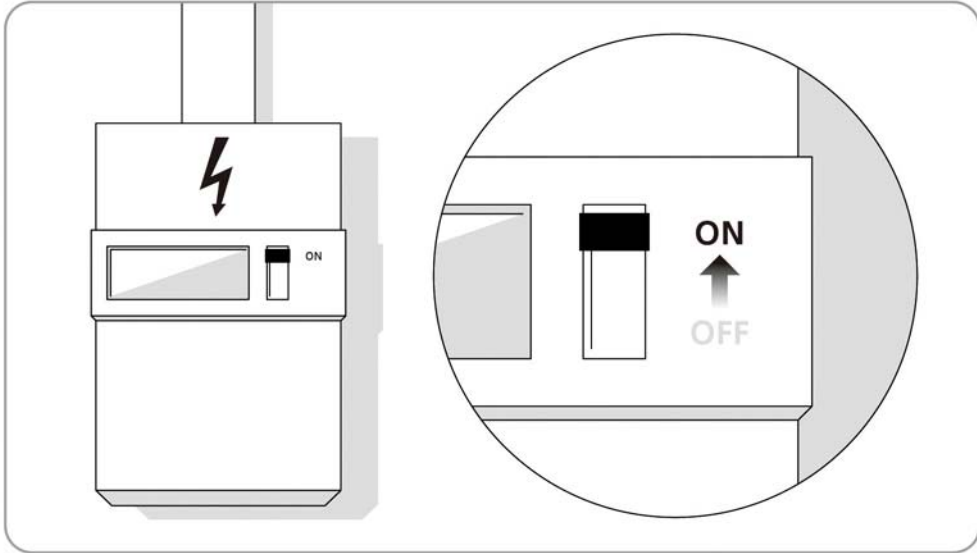
19



(K)  x 2

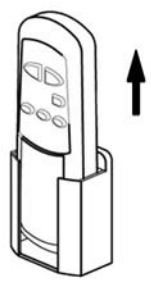


9

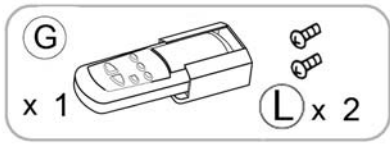
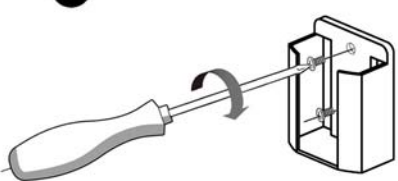


23

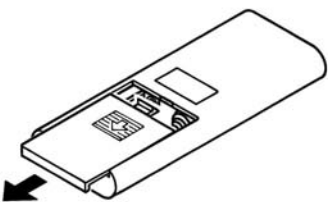
G



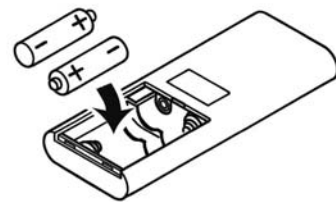
24



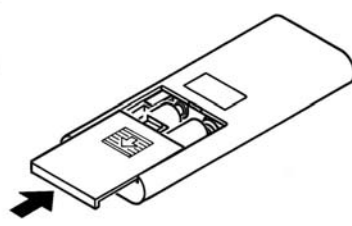
25



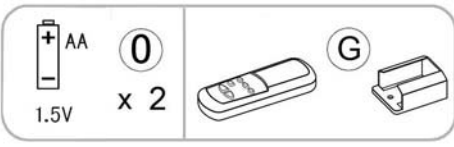
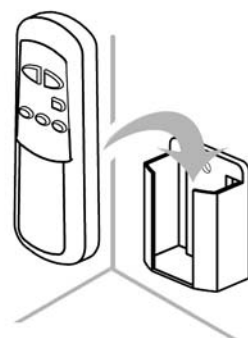
26



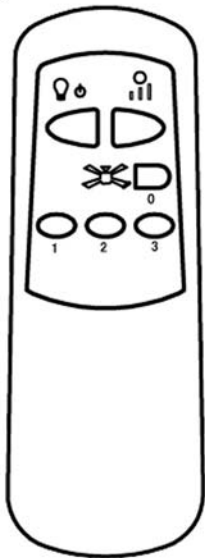
27



28



29



G

